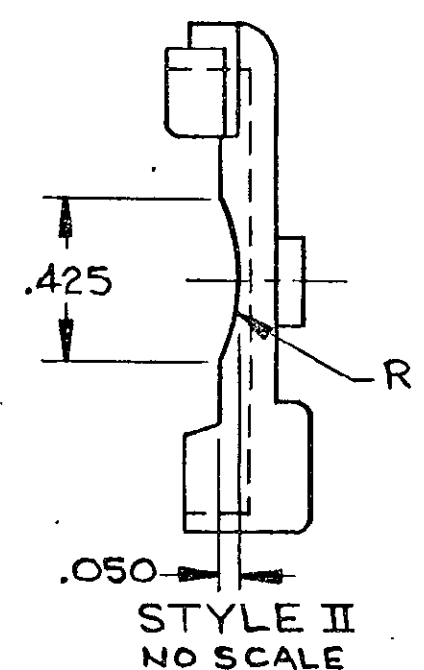
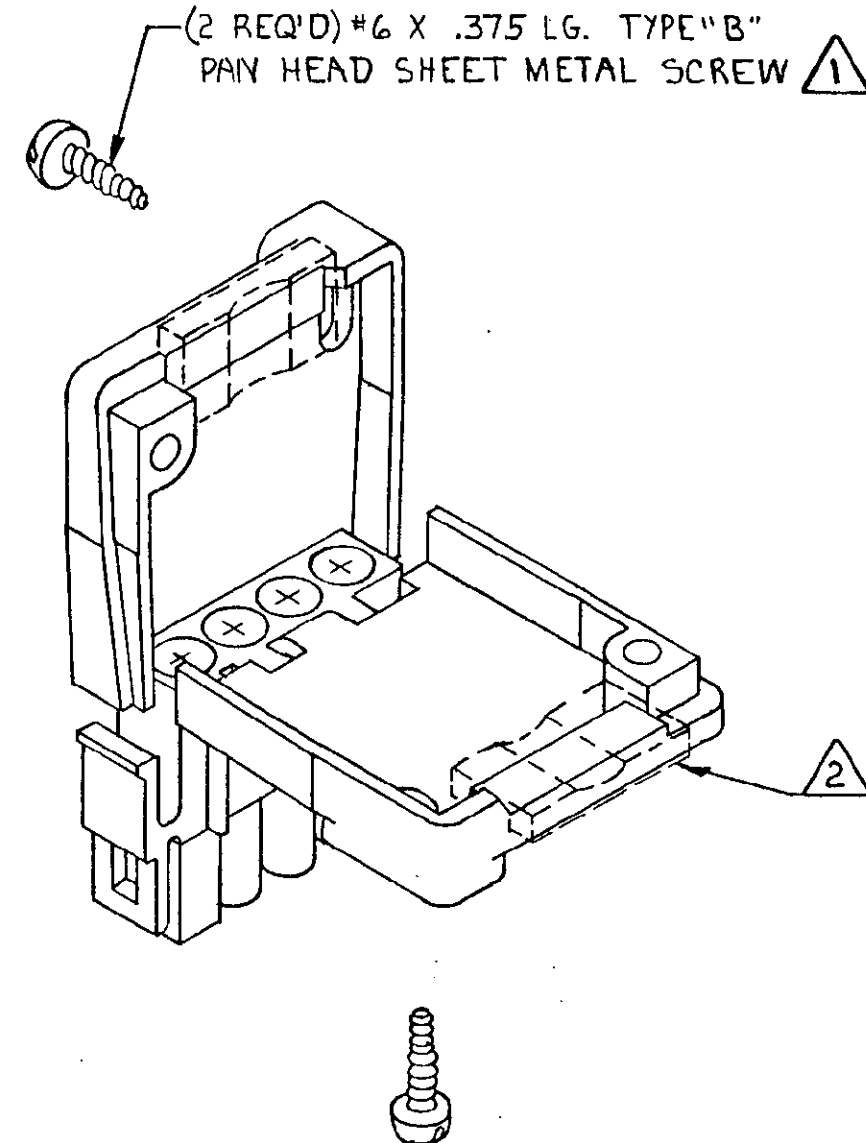
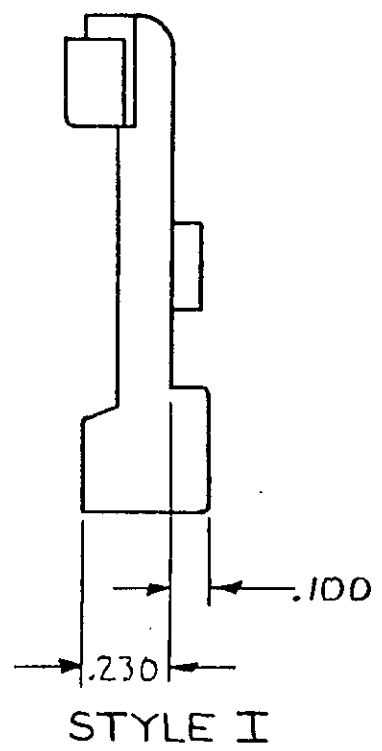
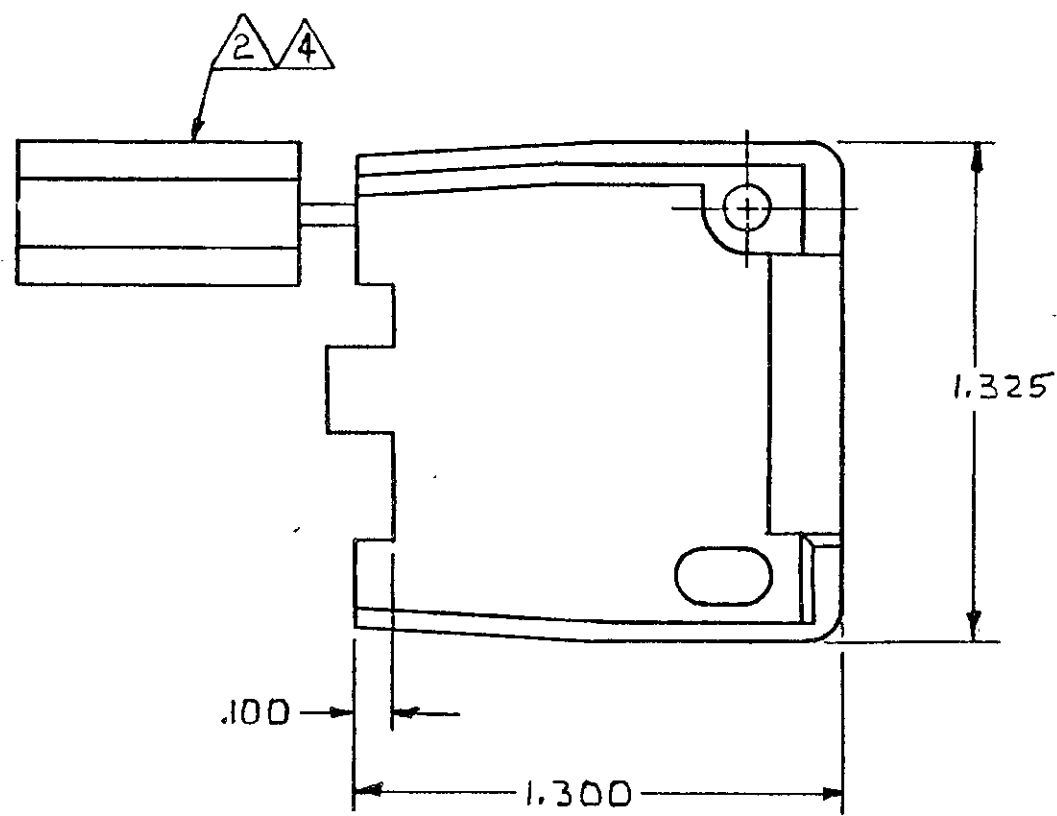
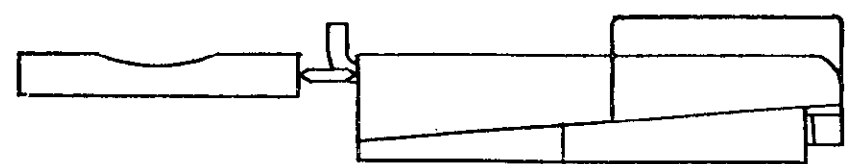


REVISIONS						
P	F	ZONE	LTR	DESCRIPTION	DATE	APPROVED
		E1		REVISED PER ECO-11-005139	28MAR11	RK HMR

- 1 SHEET METAL SCREWS NOT SUPPLIED.
- 2 INSERT IS ATTACHED TO STRAIN RELIEF. AS AN ADDITIONAL ADJUSTMENT FOR SMALL WIRE BUNDLES, IT SHOULD BE CUT OFF AND POSITIONED AS SHOWN BY DOTTED LINES.
- 3 TWO REQUIRED PER CONNECTOR.
- 4 STYLE II DOES NOT INCLUDE INSERT.
- 5. DETACHABLE INSERT MAY SEPARATE FROM STRAIN RELIEF BODY DURING SHIPPING.



WIRE BUNDLE	
WITHOUT INSERT	MAX 4 @ .190 DIA
WITH INSERT	MIN 4 @ .040 DIA

UNLESS OTHERWISE SPECIFIED DIMENSIONS ARE IN INCHES. TOLERANCES ON: DECIMALS ± .015 ANGLES ± —	CONTRACT NO
MATERIAL	DR M. FEHER 1-22-81
COLOR	CHK J.S. Heide 1/28/81
	APPR J.C. Fred 1-28-81
	DSGN APPD
	OTHER APPD

NYLON94V-0	II	641776-2
NYLON94V-0	I	641776-1
MATERIAL	STYLE	PART NO
STE TE Connectivity		
NAME STRAIN RELIEF AND INSERT, UNIVERSAL MATE-N-LOK™, 4 CIRCUIT		
SIZE	CODE	IDENT NO
C	00779	641776
DRAWING NO		641776
SCALE	SHEET 1 OF 1	
2-1		

-2 WAS CP83-3/591-2

641776